



**KITCHEN EQUIPMENT**

*SERVING THE FOOD INDUSTRY SINCE 1951*

## **HORIZONTAL BELT-DRIVEN SLICERS**

**ITEM: 46162  
MODEL: MS-IT-0300-CE**

**ITEM: 46163  
MODEL: MS-IT-0330-CE**

**ITEM: 39583  
MODEL: MS-IT-0350**

**EXCEPTIONAL AND EASY-TO-USE  
SLICER FOR YOUR KITCHEN**

These slicers are made of anodized aluminium alloy which makes it easy to clean and meet the most demanding sanitation requirements. The precise decimal thickness regulator ranges between 0 and 16mm. They are equipped with built-in blade sharpener for effective cutting. The plate mounted on the ball bearings features an exceptional smooth operation.



**WARRANTY**  
PARTS AND LABOR



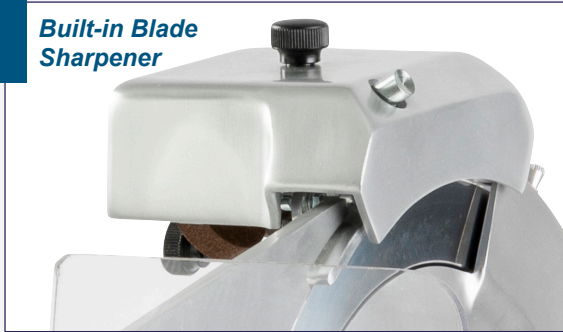
Authorized Dealer

# KITCHEN EQUIPMENT

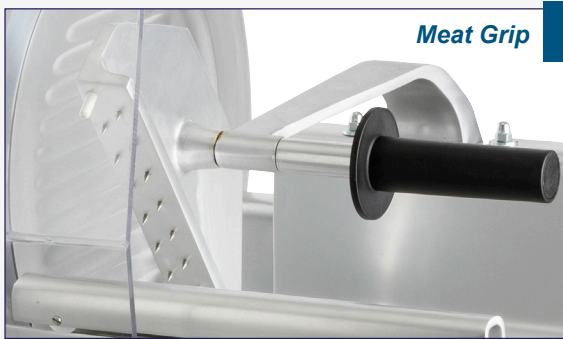
## 12-INCH BLADE HORIZONTAL BELT-DRIVEN MEAT SLICER



**Built-in Blade Sharpener**



**Meat Grip**



**Slice Thickness Control Knob**

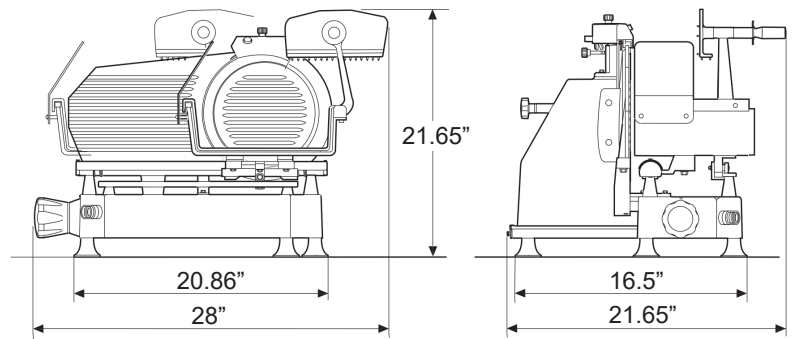


**Start / Stop Button**



*Ideal for heavy sausages, roasts, cheese, and other compact meat.*

### TECHNICAL DRAWING AND DIMENSIONS



### TECHNICAL SPECIFICATIONS

ITEM NUMBER	<b>46162</b>
MODEL	MS-IT-0300-CE
BLADE SIZE	12" / 300 mm
POWER	0.50 HP
SLICING VOLUME*	1 hour
RPM	280
CUTTING SIZE	10.23" x 8.66"
CUT THICKNESS	0-16 mm
ELECTRICAL	110V / 60Hz / 1Ph
WEIGHT	75 lbs.
PACKAGING WEIGHT	88 lbs.
DIMENSIONS (DWH)	21.65" x 28" x 21.65"
PACKAGING DIMENSIONS	22.8" x 28" x 24.8"

\*Results may vary due to product consistency and temperature.

## OMCAN INC.

Telephone: 1-800-465-0234  
 Fax: (905) 607-0234  
 Email: sales@omcan.com  
 Website: www.omcan.com



Follow us to keep up to date with the latest news and offers



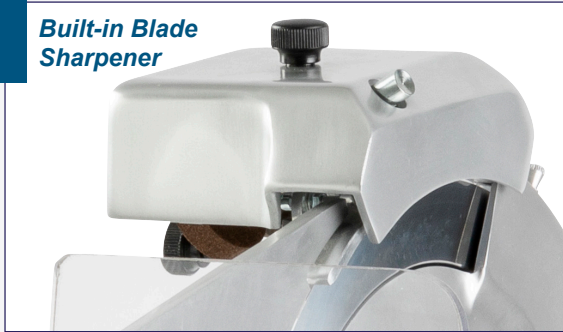
2019.E.O.E

# KITCHEN EQUIPMENT

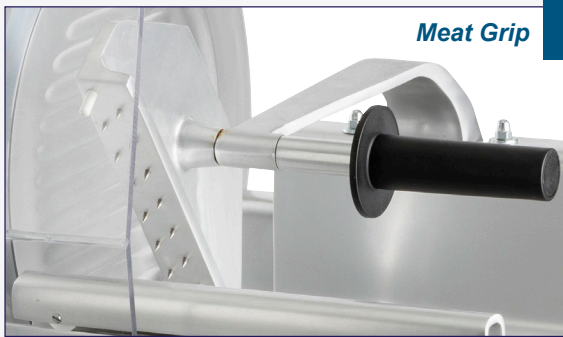
## 13-INCH BLADE HORIZONTAL BELT-DRIVEN MEAT SLICER



**Built-in Blade Sharpener**



**Meat Grip**



**Slice Thickness Control Knob**

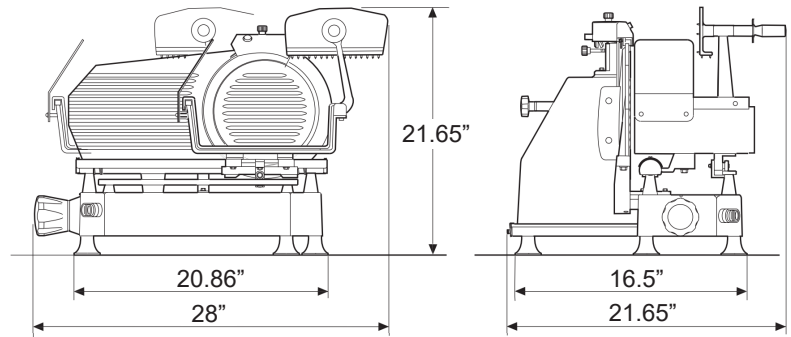


**Start / Stop Button**



*Ideal for heavy sausages, roasts, cheese, and other compact meat.*

### TECHNICAL DRAWING AND DIMENSIONS



### TECHNICAL SPECIFICATIONS

ITEM NUMBER	<b>46163</b>
MODEL	MS-IT-0330-CE
BLADE SIZE	13" / 330 mm
POWER	0.50 HP
SLICING VOLUME*	1 hour
RPM	260
CUTTING SIZE	10.23" x 8.66"
CUT THICKNESS	0-16 mm
ELECTRICAL	110V / 60Hz / 1Ph
WEIGHT	75 lbs.
PACKAGING WEIGHT	88 lbs.
DIMENSIONS (DWH)	21.65" x 28" x 21.65"
PACKAGING DIMENSIONS	22.8" x 28" x 24.8"

\*Results may vary due to product consistency and temperature.

## OMCAN INC.

Telephone: 1-800-465-0234  
 Fax: (905) 607-0234  
 Email: sales@omcan.com  
 Website: www.omcan.com



Follow us to keep up to date with the latest news and offers



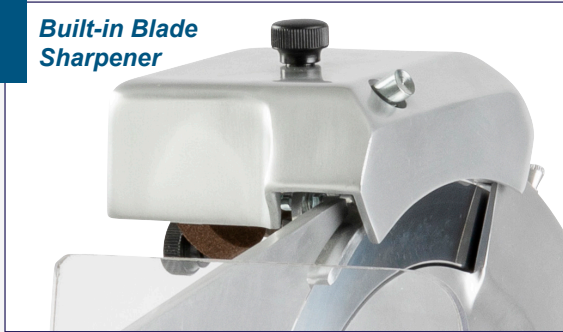
2019.E.O.E

# KITCHEN EQUIPMENT

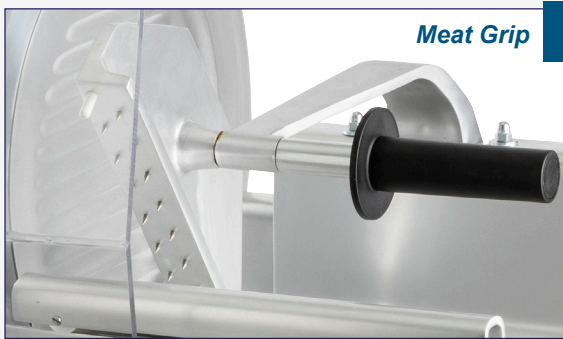
## 14-INCH BLADE HORIZONTAL BELT-DRIVEN MEAT SLICER



**Built-in Blade Sharpener**



**Meat Grip**



**Slice Thickness Control Knob**

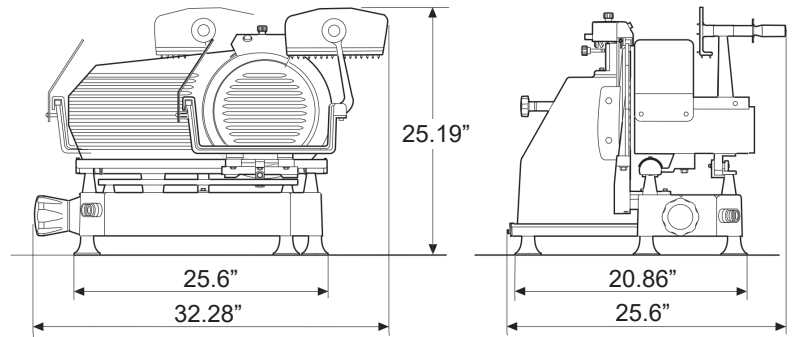


**Start / Stop Button**



*Ideal for heavy sausages, roasts, cheese, and other compact meat.*

### TECHNICAL DRAWING AND DIMENSIONS



### TECHNICAL SPECIFICATIONS

ITEM NUMBER	<b>39583</b>
MODEL	MS-IT-0350
BLADE SIZE	14" / 350 mm
POWER	0.50 HP
SLICING VOLUME*	1 hour
RPM	260
CUTTING SIZE	11.8" x 9.84"
CUT THICKNESS	0-16 mm
ELECTRICAL	110V / 60Hz / 1Ph
WEIGHT	94.8 lbs.
PACKAGING WEIGHT	110.2 lbs.
DIMENSIONS (DWH)	25.6" x 32.28" x 25.19"
PACKAGING DIMENSIONS	25.6" x 32.67" x 27.6"

\*Results may vary due to product consistency and temperature.

## OMCAN INC.

Telephone: 1-800-465-0234  
 Fax: (905) 607-0234  
 Email: sales@omcan.com  
 Website: www.omcan.com



Follow us to keep up to date with the latest news and offers



2019.E.O.E